

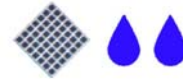
NEW Exclusive Design

Longline[®]

Linear Machine Lighting



O.C. White Co.
Quality Since 1894



IP67

“Waterproof Under Pressure”

Specifications

- 120V-277V AC, 50/60HZ
- 6 ft., 3 Prong Molded Cord
- Three Lengths Available
- Equipped with NEW **T5** Series Tubes
- CE Certified
- Non-Strobing Electronic Ballast
- Total Light Output:
 - 940 total lumen (FLL-082DB)
 - 2700 total lumen (FLL-142DB)
 - 4200 total lumen (FLL-212DB)
- Long Service Life up to 20000 Hours
- Available in Acrylic or Glass Tube
- Mounting Ends Included Standard
- Mounting Options:
 - FLL-110MB (Flat Mounting)
 - FLL-111MB (Right Angle “Up”)
 - FLL-112MB (Right Angle “Down”)



**FLL-082DB
16” Linear Light**



**FLL-142DB
28” Linear Light**



**FLL-212DB
40” Linear Light**



**Mounting End Brackets
Included Standard**



**FLL-111MB
Right Angle “Up” Mounting Brackets**

Technical Specifications

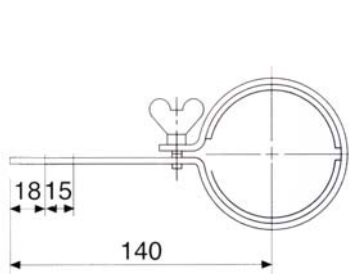
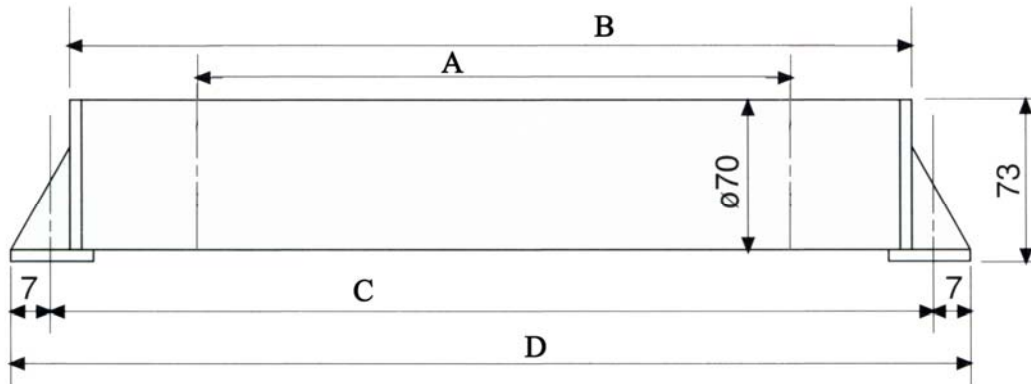
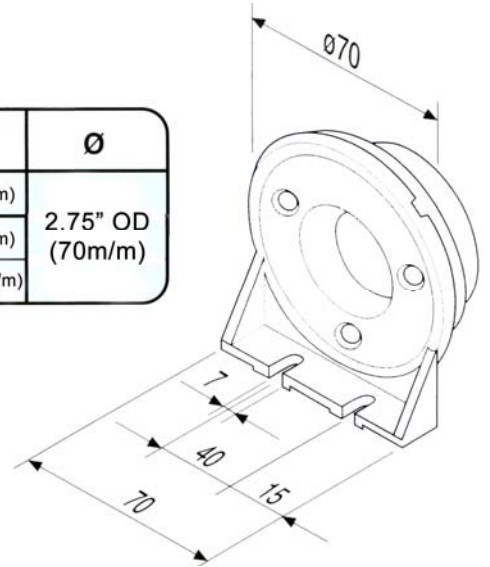


O.C. White Co.
Quality Since 1894

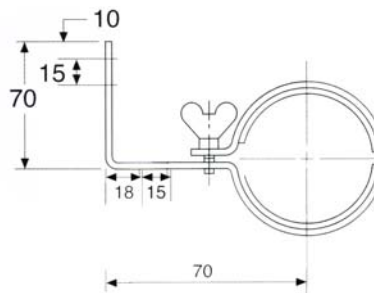
PAT.PEND. C E IP67

| MODEL | WATT | A | B | C | D | Ø |
|-------------|------------|----------------|--------------|--------------|---------------|---------------------|
| FLL-082DB * | 16W (8x2) | 9.5" (241m/m) | 14" (360m/m) | 15" (386m/m) | 16" (400m/m) | 2.75" OD (70m/m) |
| FLL-142DB * | 28W (14x2) | 21.5" (546m/m) | 26" (660m/m) | 27" (686m/m) | 28" (700m/m) | |
| FLL-212DB * | 42W (21x2) | 33.5" (851m/m) | 38" (960m/m) | 39" (986m/m) | 40" (1000m/m) | |

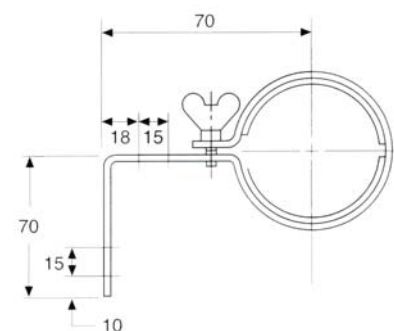
* All Listed Information Valid for Acrylic and Glass Tube Models



FLL-110MB
Flat Mounting Bracket



FLL-111MB
Right Angle "Up" Bracket



FLL-112MB
Right Angle "Down" Bracket