

burton

Luxo Medical Products



# AIM-50™

PERFORMANCE RELIABILITY VALUE



Designed to meet even the most demanding healthcare facility's specifications for high intensity, cool operation, and low cost.

*The Right Light*

OUTPATIENT PROCEDURE LIGHT



# AIM-50™

The right light for outpatient procedures in a wide range of settings and practices.

Burton's new AIM-50™ provides both amazing illumination, unparalleled aesthetics and many more features that make it the right light for any procedure. With a Color Rendering Index (CRI) of 96, 45,000 Lux at 36 inches, and a color temperature of 3100° Kelvin, the AIM-50™ enhances your vision by allowing a true rendition of colors. This light is ideal for long hours of use with three cool 50-watt quartz halogen bulbs – each rated with a 2000-hour average bulb life.

The AIM-50's™ 360° limitless arm-and-mounting-system-rotation around vertical axes on single ceiling models (a feature previously available only on O.R. type lights) makes it the right light for outpatient procedures in a variety of settings and practices such as: trauma centers, emergency rooms, ambulatory surgery centers, intensive care units, physician offices, clinics, plastic surgery, dermatology, and ophthalmology.

Supported by an industry-leading 5-year warranty for parts and labor, AIM-50™ exceeds customers' expectations!

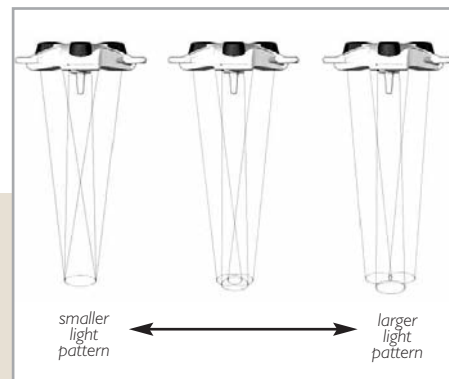


Floorstand    Single Ceiling    Double Ceiling    Wall Mount

AIM-50™ is available in the following models; Floorstand, Single Ceiling, Double Ceiling, and Wall Mount to meet different needs and installation requirements.



FEATURES:



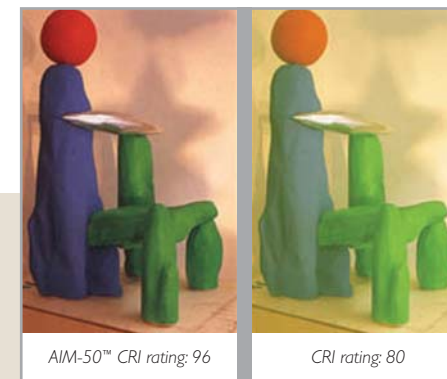
Larger and Adjustable Light Pattern

The multiple reflectors of the AIM-50™ can be tilted by rotating the sterilizable light handle to adjust the size and pattern of the light to the working area.



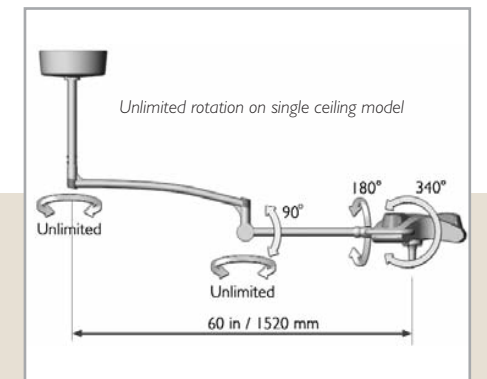
Light Pattern Free of Cast Shadows

The AIM-50™ has a unique Y-Shaped design, which facilitates placement of the lighthead around the physician's head minimizing the obstruction of light into the surgical field.



True Color Rendition

AIM-50's™ color temperature of 3100° K accents the color of tissue, providing a true restitution of color within the working area. Its Color Rendering Index (CRI) of 96 provides the physician with a proper color representation. Reds are red. Blues are blue and greens are green.



Unlimited Rotation and Maximum Reach

The AIM-50's™ 360° limitless arm-and-mounting-system-rotation around vertical axes on single ceiling models is a key feature previously available only on O.R. type lights. The arm system also provides a maximum reach of 60 inches and diameter of 10 feet, allowing it to illuminate the patient from head to toe with no drift.

Compare and you will choose  
Burton's AIM-50™



## SUMMARY OF TECHNICAL DATA

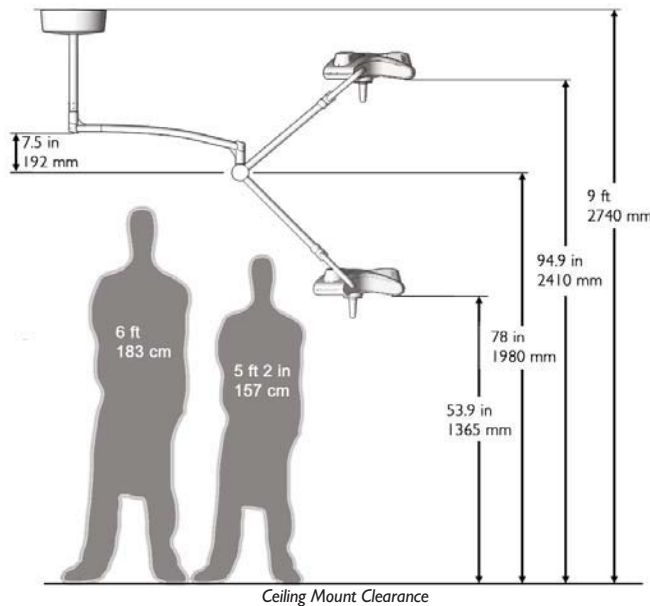
<b>Illuminance:*</b>	9,200 FC (99,000 Lux) at 24 in. (61 cm) and 4182 FC (45,000 Lux) at 36 in. (91 cm)
<b>Color temperature:</b>	3100° K
<b>Diameter of lighthead:</b>	20 in. (51 cm)
<b>Light field diameter:</b>	10 in. - 12 in. (25 cm - 30 cm)
<b>Depth of Illumination:</b>	47 in. (119 cm)
<b>Focusing:</b>	Adjustable by rotating center handle
<b>CRI:</b>	96
<b>Number of bulbs:</b>	3
<b>Light sources (halogen):</b>	50 W, 12 volt, bi-pin
<b>Rated life of halogen lamp:</b>	2,000 hours
<b>Swivel radius of lamp housing-ceiling mounted:**</b>	60 in. (152 cm) max.
<b>Height movement of lamp housing-ceiling mounted:</b>	41 in. (104 cm) vertical movement
<b>Minimum ceiling height/maximum ceiling height:</b>	8 ft./12 ft. (2436 mm/3653 mm)
<b>Power:</b>	150 Watts
<b>Electrical system standards:</b>	UL 60601-1/ IEC 60601-2-41
<b>Total weight:</b>	Floor version 44 lbs. (19.9 kg), single ceiling version 43 lbs. (19.5 kg)
<b>Seismic calculations available:</b>	Yes
<b>Product warranty:</b>	5-year parts and labor
<b>Origin:</b>	Manufactured in the USA

\* The optical data are at nominal values based on measurements done according to the UL/IEC performance standards at 120V \*\* With extension arm and spring arm extended



### FLOORSTAND BASE

The AIM-50™ ergonomic base design allows for convenient positioning in any office. This base offers an easy-access footswitch and built-in casters with locking mechanism on back casters.



### MODELS

115V	230V	
#A50FL	#A53FL	AIM-50™ Floorstand
#A50SC	#A53SC	AIM-50™ Single Ceiling
#A50DC	#A53DC	AIM-50™ Double Ceiling
#A50W	#A53W	AIM-50™ Wall

### ACCESSORIES

#6000120PK	Set of 3 AIM-50™ Replacement Bulbs
#1017040	Sterilizable Handle
#0008100PK	Set of 25 Disposable Handle Covers



**burton**  
Luxo Medical Products

Lighting Specialties  
www.lightingspecialties.com  
(800) 876-2852

The Right Light

Product specifications may be modified by manufacturer at anytime. For reference only.