

### MAX 35 is a Better Value In High-Intensity Gooseneck Lighting

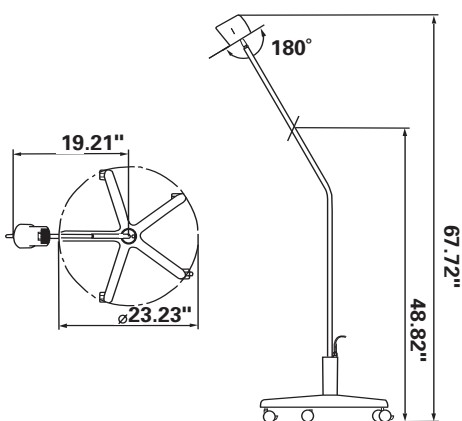
The MAX 35 provides more light output than its direct competitors, and its unique design of the arm provides exceptional reach to the patient. With the Max 35, the lighthead swivels easily and is in the correct right angle position preferred by most physicians and healthcare facilities.

The MAX 35 design, advanced optics and superior workmanship reflect its European origins, yet it is affordable enough for all healthcare offices and hospitals. And with so many mounting options available, the MAX 35 is the one exam light that healthcare facilities can standardize on for every application to achieve worry-free operation.



### FEATURES

- 52,000 lux (4900 fc) at 16" powered by a 35-Watt halogen bulb
- Fully-rotational pivoting arm joint triples the life of the gooseneck
- Smooth lighthead and surfaces for safe and easy cleaning
- 3100K color temperature with cooler light beam and housing
- No unsafe openings in the housing are required to vent heat build-up inside
- Electronic transformer
- Durable gooseneck arm
- Approximately 50" reach on extended wall/table mounts
- Long 3000 hour bulb life
- Available in floorstand, wall/table, extended wall, or rail mounts
- 3-year limited warranty
- 120V is standard; 230V models are available



### ORDERING INFORMATION

| Description:                                | Part Numbers: |
|---|---------------|
| MAX 35 Gooseneck Floorstand                 | D14-147-000   |
| MAX 35 Gooseneck Wall Mount                 | D14-290-120   |
| MAX 35 Gooseneck Wall Mount w/Extension Arm | D14-290-130   |
| MAX 35 Gooseneck Rail Mount                 | D14-290-150   |
| <b>Accessories:</b>                         |               |
| Set of 4 MAX 35W Replacement Bulbs          | D68-730-000   |